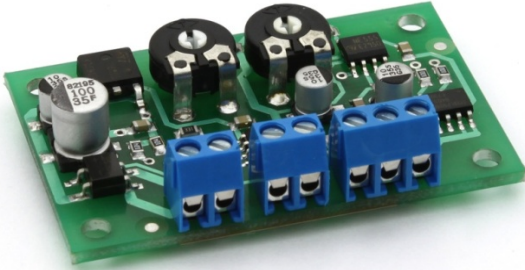


TM-86481



**TRAINMODULES**



# Universal timer and delay module

User's manual



5 998975 300926



© 2011 BioDigit Ltd.

All rights reserved. It is forbidden to reproduce and/or publish the contents of the present document in any form including electronic and mechanical design without the written permission of BioDigit Ltd.



## **Safety warning**

During the operation of the device the specified technical parameters shall always be met. At the installation the environment shall be fully taken into consideration. The device must not be exposed to moisture and direct sunshine.

A soldering tool may be necessary for the installation and/or mounting of the devices, which requires special care.

During the installation it shall be ensured that the bottom of the device should not contact with a conductive (e.g. metal) surface!

## **Contents**

Safety warning .....	1
Properties .....	2
Technical parameters .....	2
Short description .....	2
Wiring .....	3
Guarantee and legal statement .....	4

## Properties

- Continuously adjustable timing
- Two-channel high current output
- Applicable for delaying and pulse lengthening as well
- Low idle mode current consumption
- High load current

## Technical parameters

Supply voltage: 7-24V

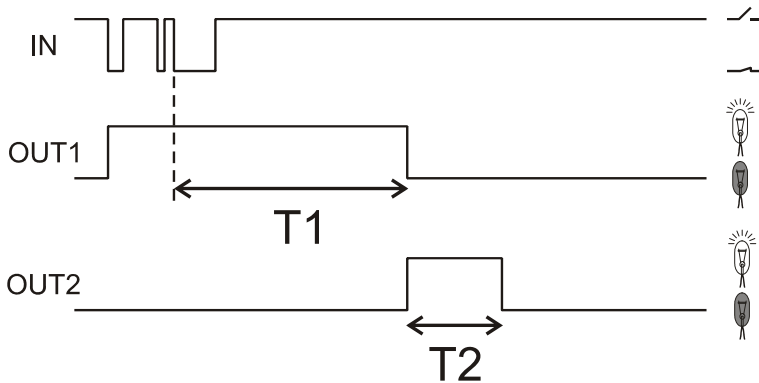
Idle mode current consumption: 20 mA

Max. current consumption: 500 mA

Dimensions: 50x33 mm

## Short description

Timer and delay module applicable for various timing tasks.



OUT1 is active for T1 time from the last pulse arriving at the input.  
OUT2 is active for T2 time after the T1 time is over.  
Due to the chatter suppression on the input the T1 timing starts only after the last pulse arriving at the input.

## Wiring

The supply voltage is to be connected to the **"POWER"** connector. The contact providing for the starting pulse is to be connected to the **"START"** points. Use only potential-free (galvanically isolated) closing contact! Do not use e.g. rail contact to control this input!

## **Guarantee and legal statement**

Each parameter of the device was submitted to comprehensive testing prior to marketing. The manufacturer undertakes one year guarantee for the product. Defects occurred during this period will be repaired by the manufacturer free of charge against the presentation of the invoice.

The validity of the guarantee will cease in case of improper usage and/or treatment.

Attention! By virtue of the European EMC directive the product can be used solely with devices provided with CE marking.

*The mentioned standards and branch names are the trademarks of the firms concerned*

TrainModules – BioDigit Ltd  
Kerepesi street 92.  
H-1144, Budapest

Made in Hungary.

Tel.: +36 1 46-707-64  
<http://www.trainmodules.hu/>

Figure 1

